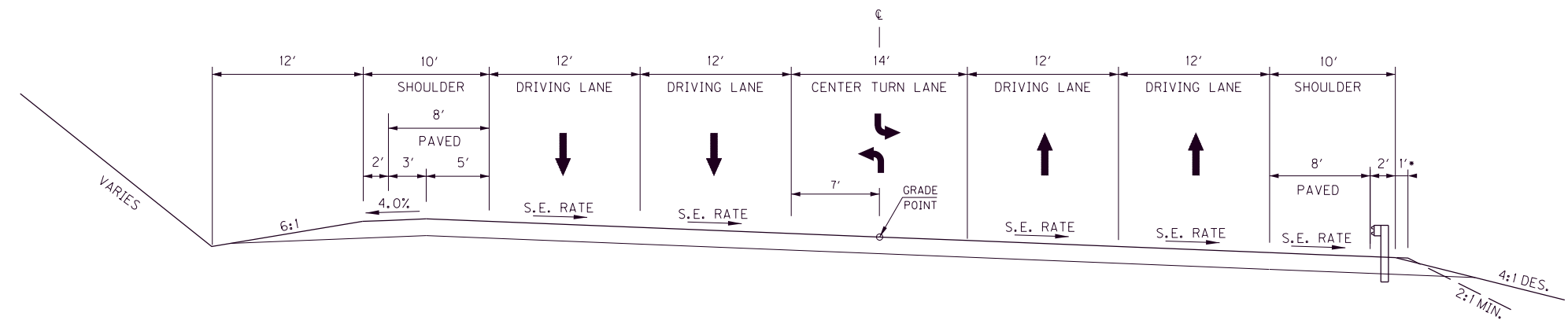
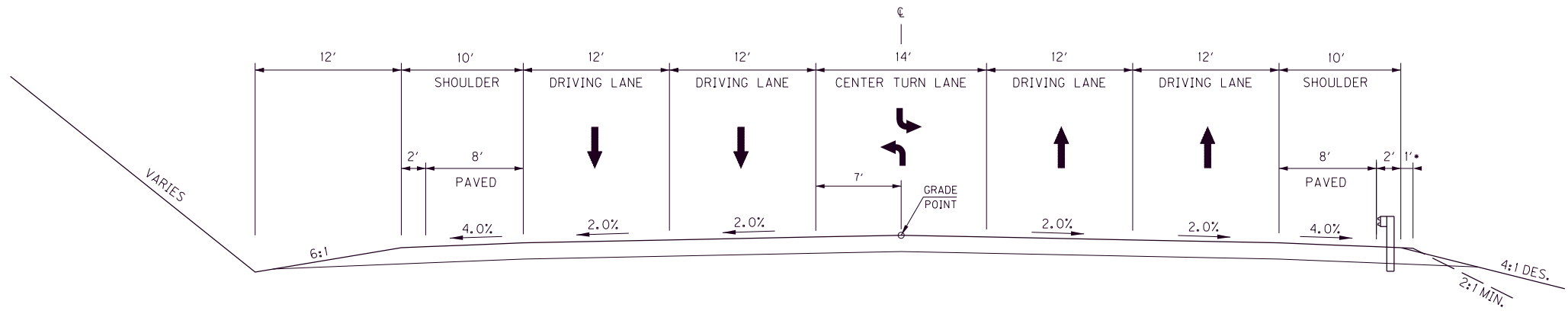


COUNTY OF	ITEM NO.	SHEET NO.



FILE NAME: G:\ENGR\HD1033.04\PHASE 1\WORK\CROSS SECTION DISPLAYS.DGN

USER: msides
DATE PLOTTED: July 5, 2018

E-SHEET NAME:

MicroStation v8.11.9.459

SCALE: N. T. S

KY 461

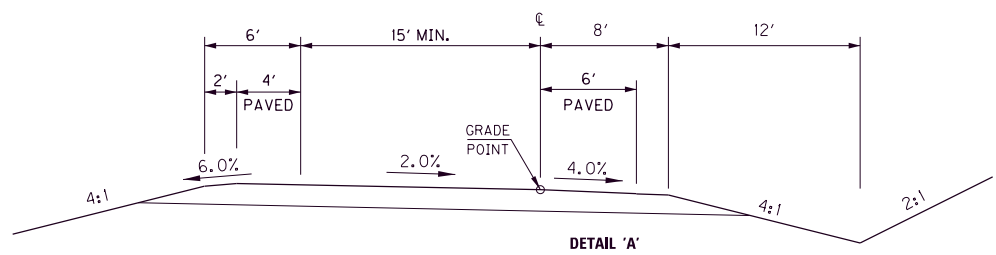
COUNTY OF	ITEM NO.	SHEET NO.

FILE NAME: G:\ENGR\HD1033.04\PHASE 1\WORK\CROSS SECTION DISPLAYS.DGN

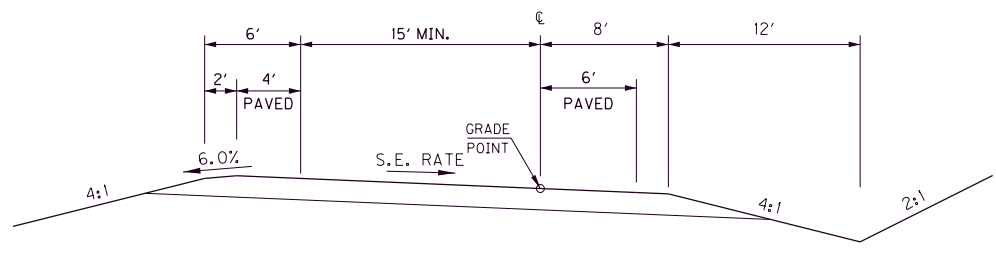
USER: msides
DATE PLOTTED: July 5, 2018

E-SHEET NAME:

MicroStation v8.1i.9.459



DETAIL 'A'
NORMAL SECTION



SUPERELEVATION SECTION

SCALE: 1"=

RAMP TYPICALS

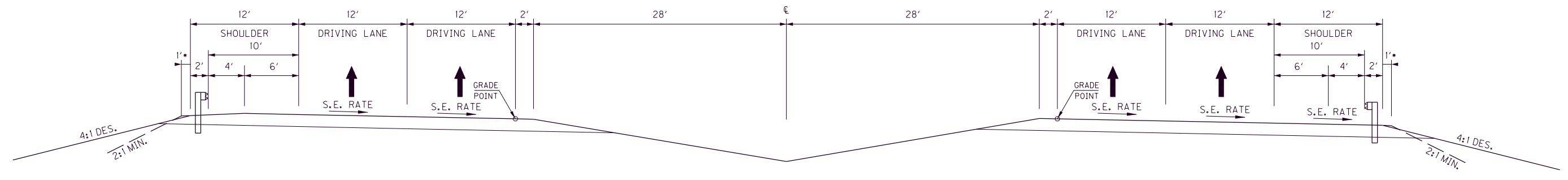
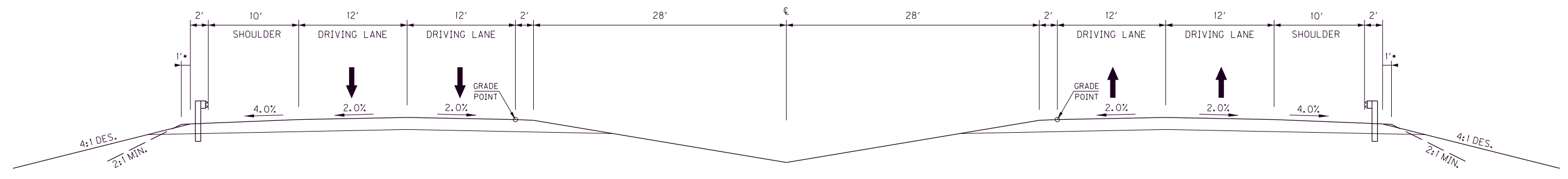
COUNTY OF	ITEM NO.	SHEET NO.

FILE NAME: G:\ENGR\HD1033.04\PHASE 1\WORK\CROSS SECTION DISPLAYS.DGN

USER: msides
DATE PLOTTED: July 5, 2018

E-SHEET NAME:

MicroStation v8.11.9.459



SCALE: 1"=

KY 80

